

LIAN LI

Feel the difference

LANCOOL 170M

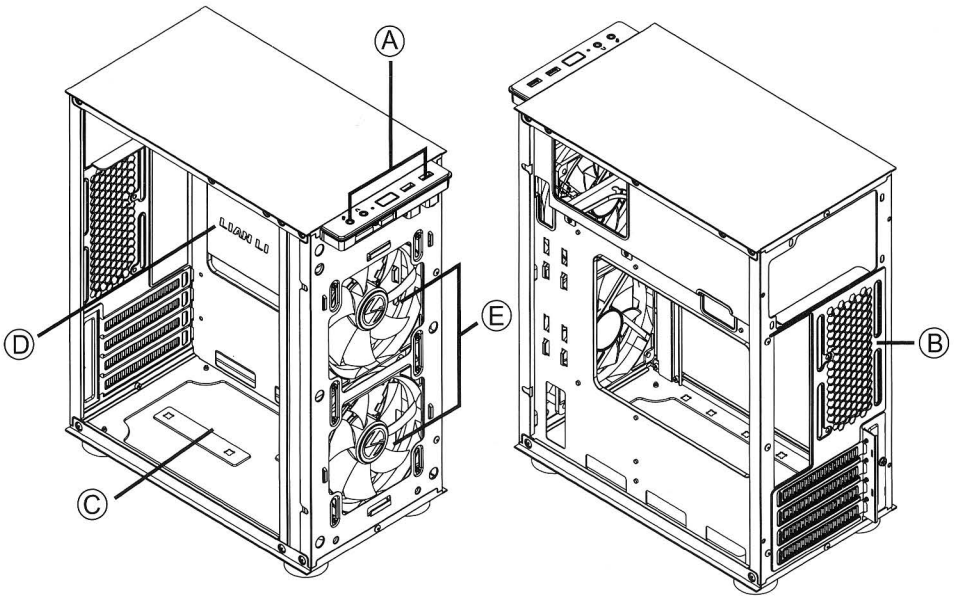
MATX Chassis

Installation Guide / 安裝說明書

Guide d'installation / Montageanleitung

Guía de instalación / インストレーションガイド

- * Case components * Composants du boîtier * Guía de instalación
 * 機殻部品紹介 * Gehäusekomponenten * ケース各部紹介



- (A) IO ports: 1 x HD AUDIO, 2 x USB 3.0, Power Button, Power/HDD LED
-
- (B) Supporting 80 mm fan x 1 or 2.5" SSD x 1
-
- (C) Supporting 3.5" HDD x 1 or 2.5" SSD x 1
-
- (D) Removable PSU Shroud: Supporting 2.5" SSD x 1
-
- (E) 120 mm fan x 2 (4 PIN PWM, 12V, 0.2A, 800~1500RPM, 51.82 CFM, 1.38 mm H₂O, 28.91 dB) or Supporting 240 mm radiator x 1

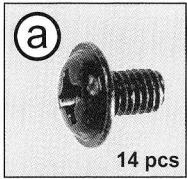
Specification:

1. I/O Panel:
Power Button, USB 3.0 x 2, Audio, Microphone, Power LED, HDD LED.
2. Fan support: Front –120 mm x 2, Rear – 80 mm x 1.
Fan included: Front –120 mm x 2 PWM black fans.
3. AIO Radiator support: Front 240 mm or 120 mm.
4. Max air cooler height: 136 mm.
5. Removable side glass panel.
6. Max GPU Length: 270 mm (Max.).
7. Storage: Rear – SSD x 1 (the same placement of 80 mm fan)
Bottom – SSD x 1 or HDD x 1
Under PSU cable management bracket – SSD x 1

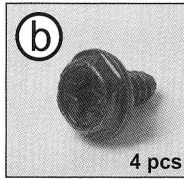
* Hardware list
* 零件盒部品一覽表

* Liste des pièces
* Hardwareliste

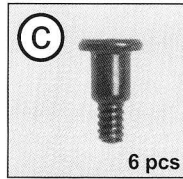
* Lista de materiales
* 付属品一覽



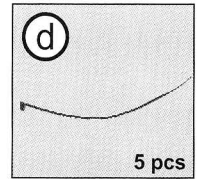
Screws
for motherboard and
2.5" SSD mount



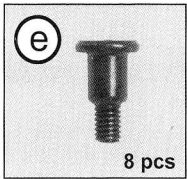
Screws
for PSU mounting



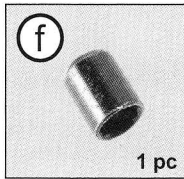
Screws (6#32)
for 3.5" HDD mount



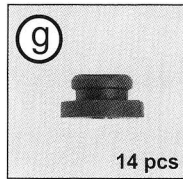
Cable tie
for cable management



Screws (M3)
for 2.5" SSD mount



Tool (Spare parts)
for stand-off bolt



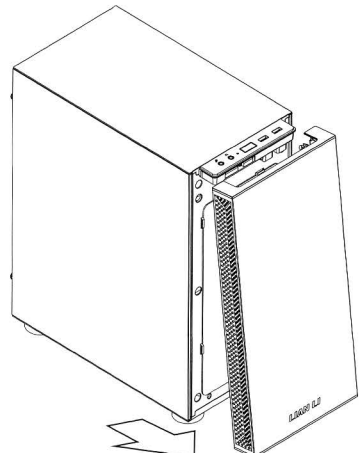
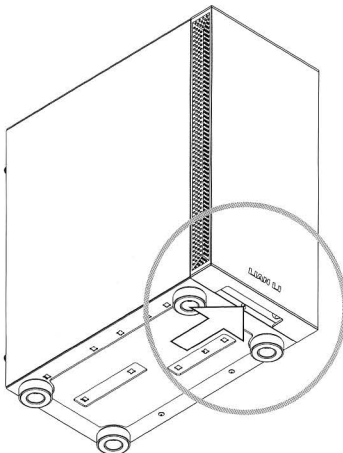
Anti-vibration rings
for 2.5" SSD/3.5" HDD
mount

- * Exceeded quantity are spare parts.
- * 多餘的零件數量是備品。
- * Les pièces supplémentaires sont des pièces de rechange.
- * Zusätzliche Teile können als Ersatzteile verwendet werden.
- * Exceeded quantity are spare parts.
- * ネジには予備が含まれてれています。

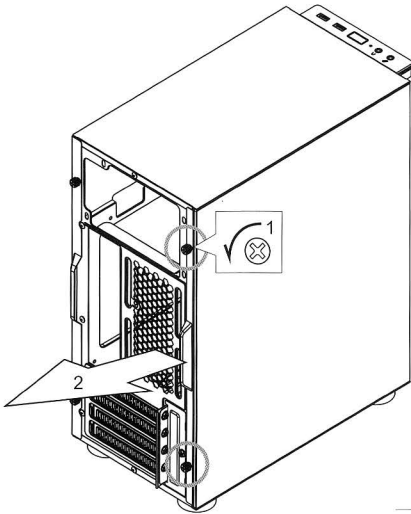
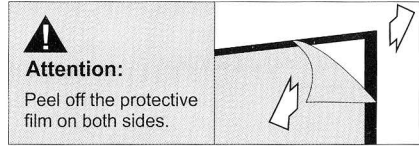
* Remove front panel
* 卸下前面板

* Retirer le panneau avant
* Frontplatte entfernen

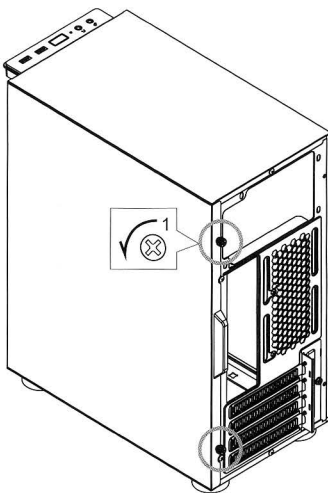
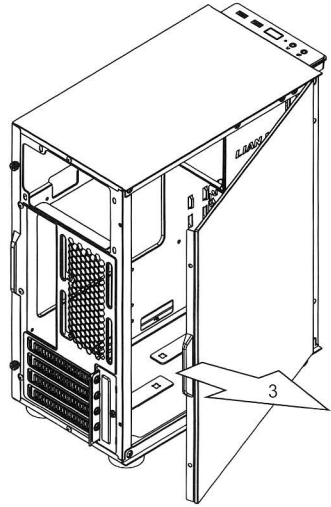
* Retire el panel delantero
* 前面パネルを取り外す



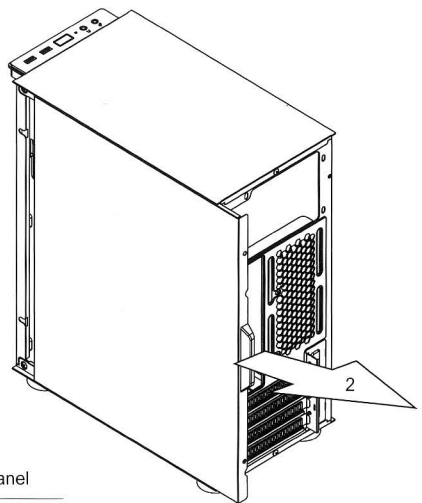
- * Remove the side panel
- * 側板拆卸
- * Retirez le panneau latéral
- * Seitenwand abnehmen
- * Extracción del panel lateral
- * サイドパネルの取り外し



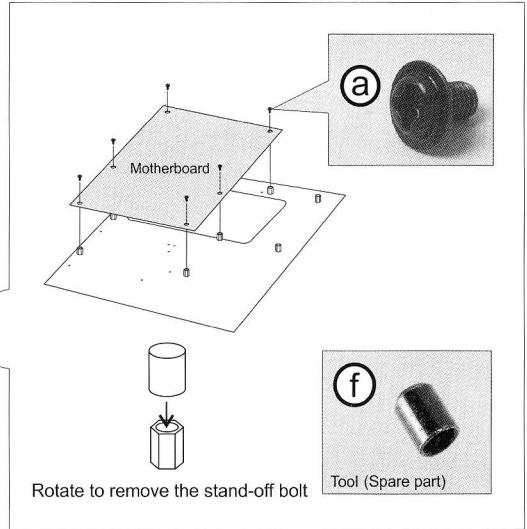
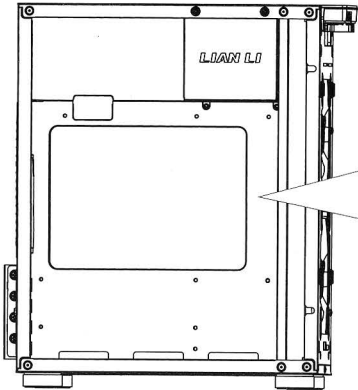
Left panel



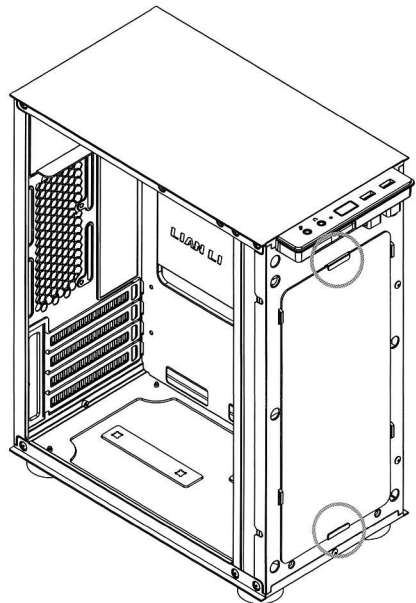
Right panel



- * Motherboard installation
- * 主機板安裝
- * Installation de la carte mère
- * Motherboard installieren
- * Instalación de la placa base
- * マザーボードの取り付け

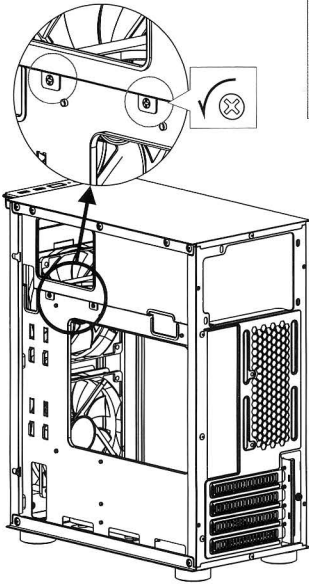


- * Remove air filters
- * 空氣濾網拆卸
- * Retirez les filtres à air
- * Entfernen Sie Luftfilter
- * Retire los filtros de aire
- * エアフィルターの取り外し

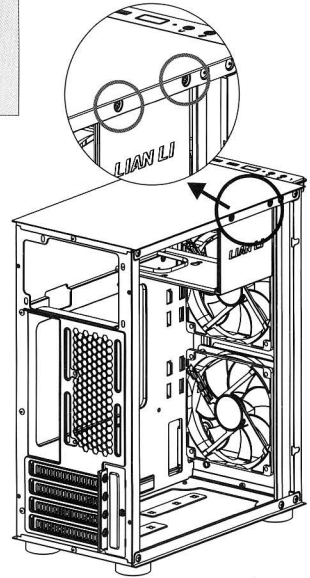


- * PSU installation
- * 電源供應器安裝
- * Installation du plateau du bloc d'alimentation

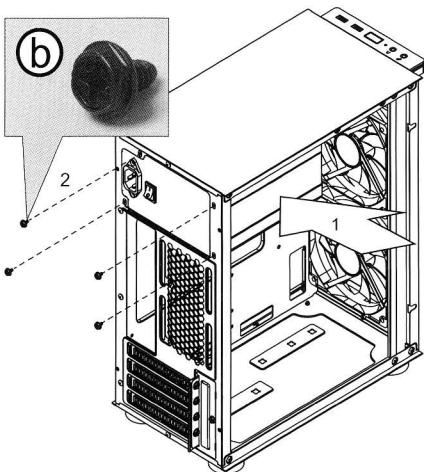
- * PSU-Einsatz installieren
- * Instalación de la fuente de alimentación
- * 電源ユニットの取り付け



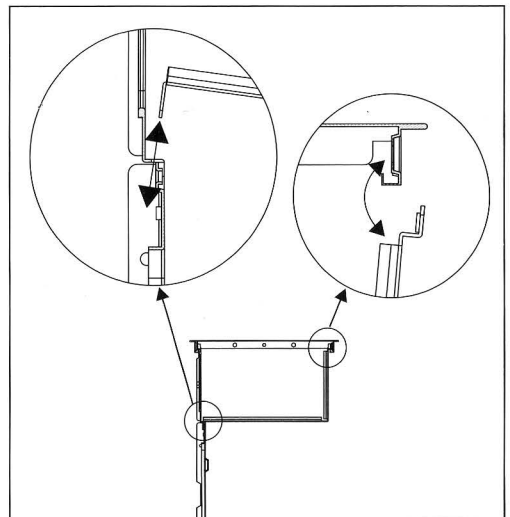
CAUTION:
Loosen 4 screws to remove the PSU Shroud, in order to install the power supply.



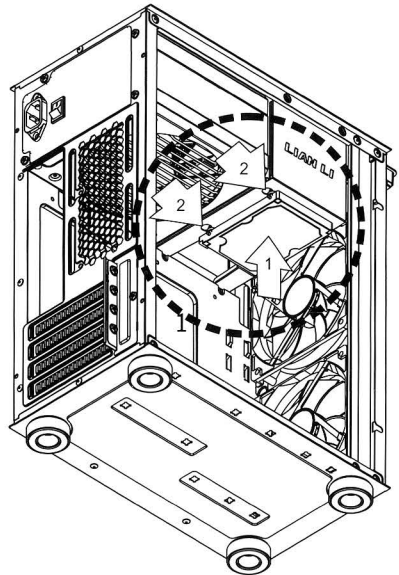
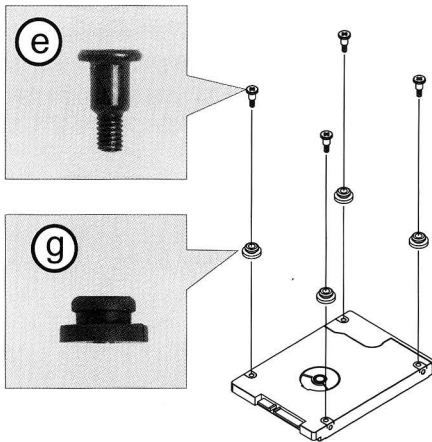
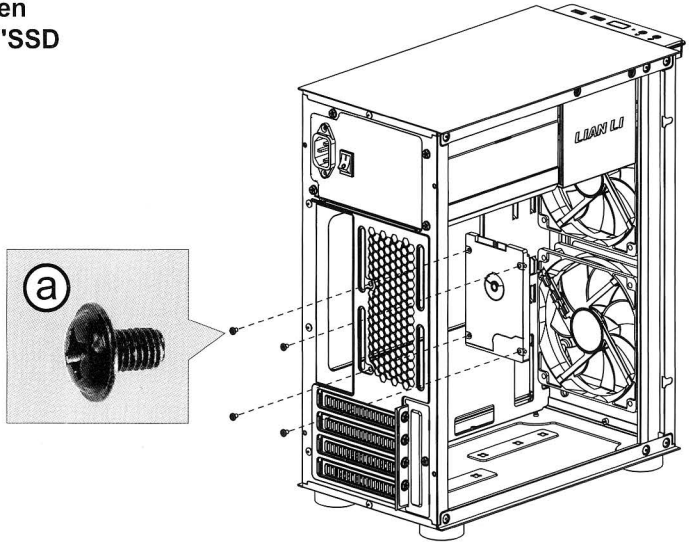
Power supply installation



Profile---Install and remove PSU SHROUD

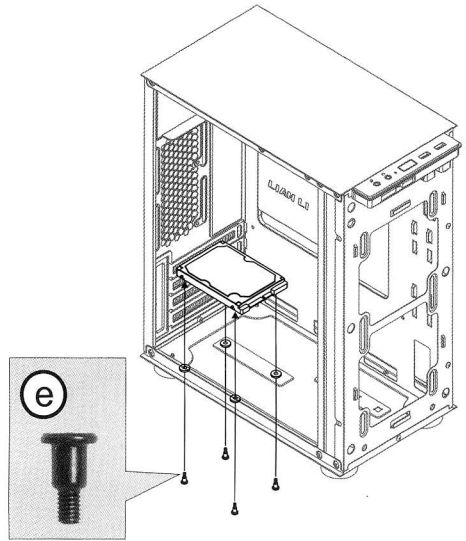
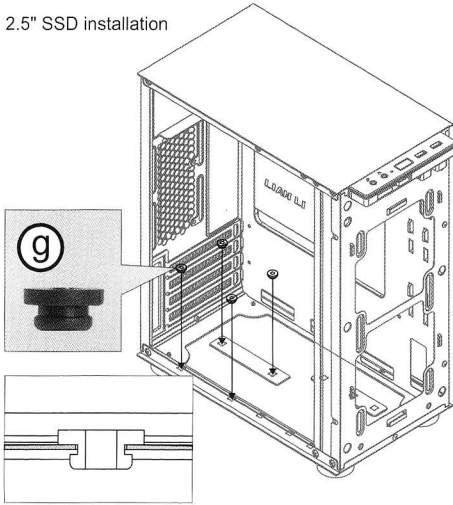


- * 2.5"SSD installation
- * 2.5"SSD 安裝
- * Installation de 2.5"SSD
- * 2.5"SSD installieren
- * Instalación de 2.5"SSD
- * 2.5"SSD の取り付け

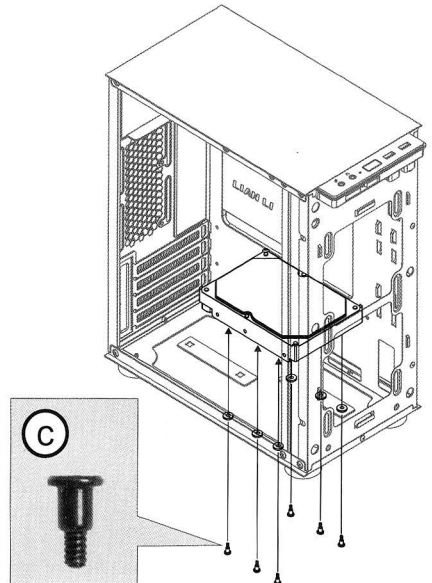
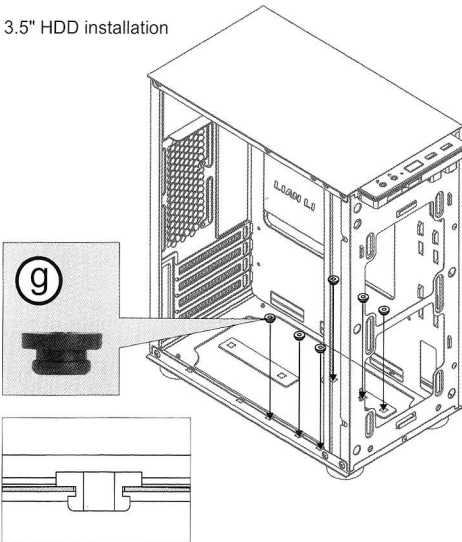


- * 2.5"SSD/3.5"HDD installation
- * 2.5"SSD/3.5"HDD 安裝
- * Installation de 2.5"SSD/3.5"HDD
- * 2.5"SSD/3.5"HDD installieren
- * Instalación de 2.5"SSD/3.5"HDD
- * 2.5"SSD/3.5"HDD の取り付け

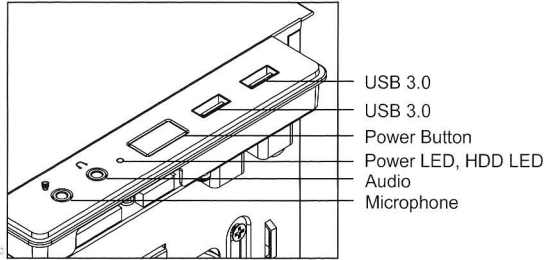
2.5" SSD installation



3.5" HDD installation

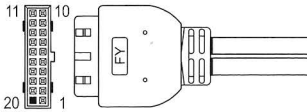


- * I/O ports function
- * I/O port 功能説明
- * Installation du port E/S
- * I/O-Port installieren
- * Instalación de los puertos de E/S
- * I/O ポートに関して



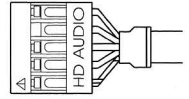
USB 3.0

Supports motherboard USB 3.0 20 Pin header

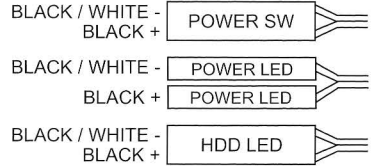


HD AUDIO

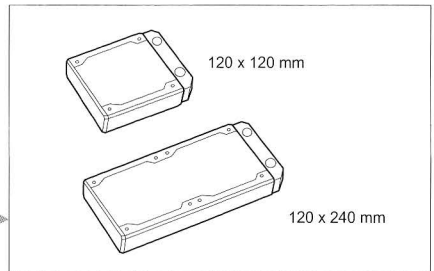
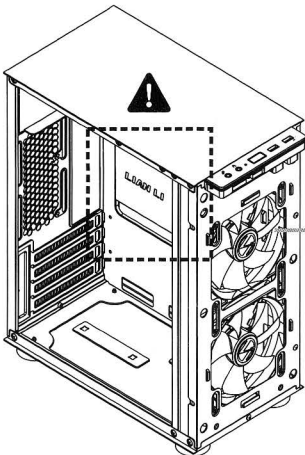
Blue	10	9	Green
Black purple	8	7	Key
Yellow	6	5	Orange
Gray	4	3	N.C.
Red	2	1	GND+H.S. TUBE



POWER



- * Radiator & cooling support
- * 散热器 & 水冷排支援
- * Assistance radiateur et refroidissement
- * Kühler- und Kühlungsunterstützung
- * Radiador y soporte de refrigeración.
- * ラジエーター&冷却サポート



CAUTION:
Loosen 4 screws to remove the PSU Shroud (see page 5), in order to install the 120 x 240 mm AIO radiator.



<http://www.lian-li.com>

G50.OE7620.10