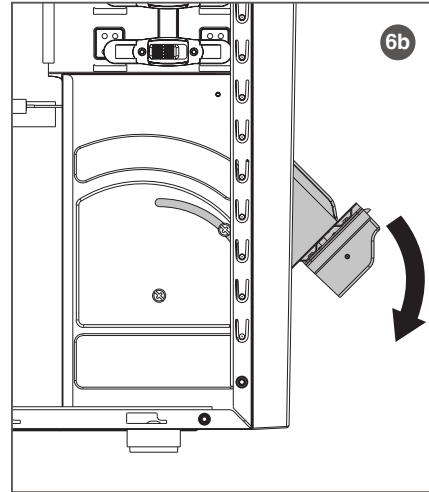
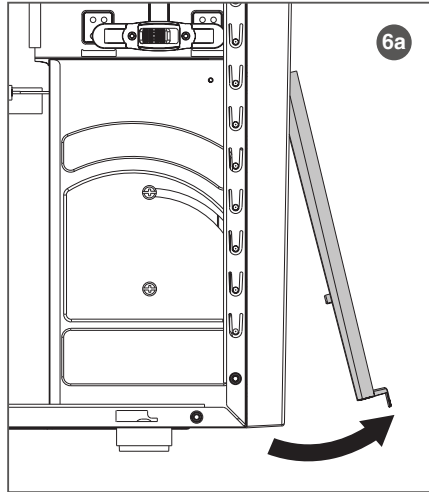


6. Install a 3.5" or 2.5" Drive

6-1. Pull to remove the HDD cover from the front panel (Figure 6a), and open the HDD Cage (Figure 6b).



6-2. Plug in the SATA power connectors and SATA interface connectors.

