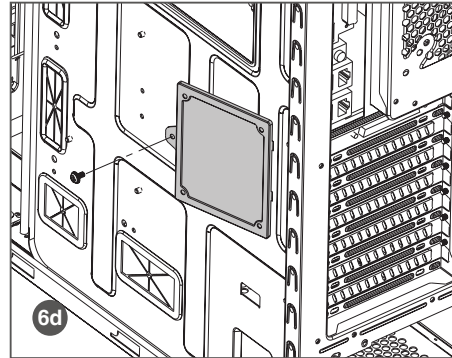
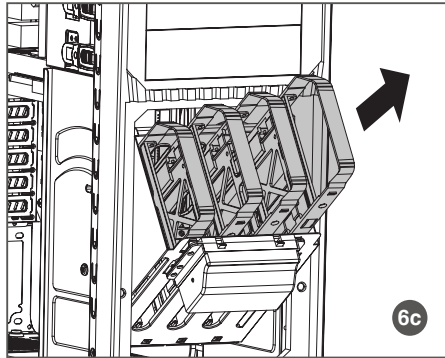
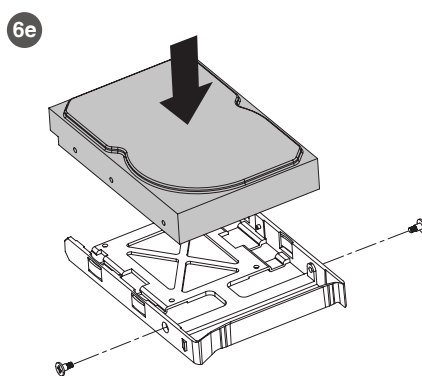


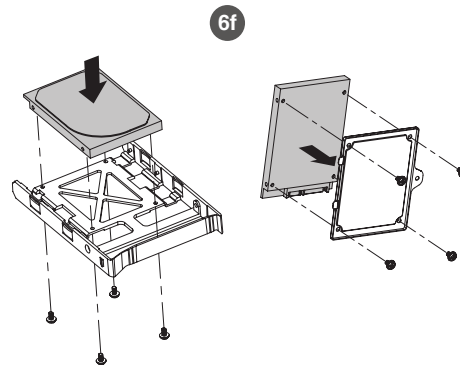
6-3. Pull out the HDD trays from the cage. Remove the SSD tray from the back of the case. (Figure 6c & 6d).



6-4. 3.5" Drives: Install a 3.5" HDD onto the tray, and secure with Screw-B if desired (Figure 6e).



2.5" Drives: Screw a 2.5" SSD/HDD onto the tray with Screw-C (Figure 6f).



6-5. Insert the tray into the HDD Cage, and secure the SSD tray back onto the case with the thumbscrew.